

feather&black

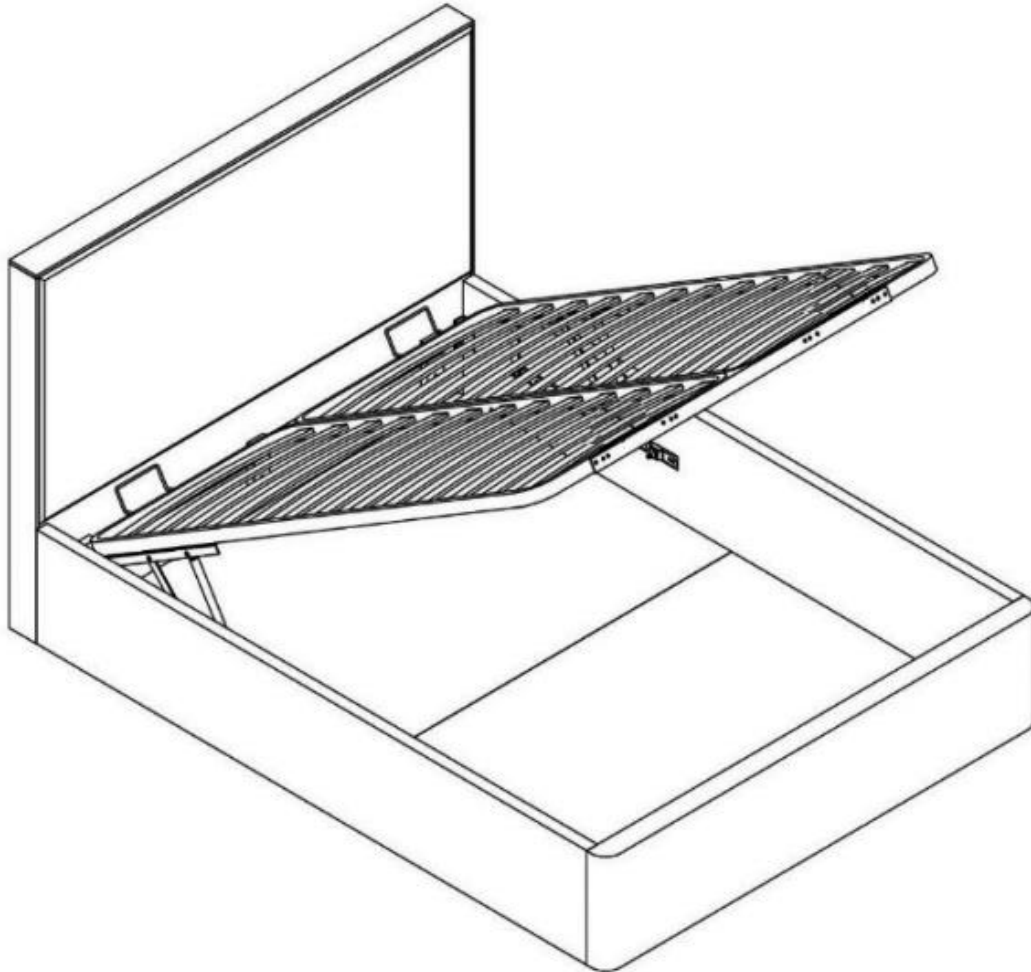
Cleo Ottoman Bed – Assembly Instructions

Product size:

Double: H150 x L209 x W152cm

King: H150 x L219 x W167cm

Superking: H150 x L219 x W197cm



If you require any advice during assembly, please call our customer service team on 01243 380600

Please retain these assembly instructions for future use

feather&black

Cleo Ottoman Bed

IMPORTANT – READ CAREFULLY – RETAIN FOR FUTURE REFERENCE

- You must ensure that the mattress is on the bed frame before operating the lift mechanism- Failure to do so could result in injury.
- Keep hands clear of the mechanism when opening or closing the ottoman.
- Beware of entrapment – Never reach in through the mechanism to access the storage area.
- Always ensure that the ottoman is FULLY opened before accessing the storage area.
- Do not exceed the maximum weight as specified in the table below:

Bed	Bed Size	Min Weight (kg)	Max Weight (kg)
Cleo Ottoman Bed	Double	30	70
	King	30	70
	SuperKing	30	70



feather&black

Cleo Ottoman Bed

Before you start

Thank you for purchasing this Cleo Ottoman Bed.

Please read these instructions fully prior to assembly to familiarise yourself with the various stages of construction. Carefully open all packs supplied and check the contents against the parts and fittings check list.

Do not destroy any of the packaging until you are certain that you have all the necessary parts for the assembly.

This item is heavy once assembled. Please try to assemble the item as close as possible to the point of use. Take care when moving the item to avoid personal injury or damage to the product and always lift rather than drag.

There are small components used in the construction of this furniture as well as plastic packaging, these should be kept away from young children whilst assembling.

Product Safety

All assembly fastenings should always be tightened properly, and care should be taken to ensure that no fittings are loose.

Periodically check and ensure that all components are in their proper position, free from damage, and that all connectors are tight.

Please note depending on the lighting, positioning and surroundings of your room, the shade of the colour can sometimes appear slightly different. Over a period of time the colour might lighten or fade slightly due to light exposure.

Product Care

To clean, slightly moisten cloth with water and wipe surfaces. A damp cloth holds dust and prevents damage. repeat with a dry, soft, lint-free cloth. Do not use abrasives or cleaning products which may contain ammonia or solvents.

Number of people required to assemble

Two people to assemble the product and two people to lift in to position.



Time to assemble



1 Hour

Necessary tools



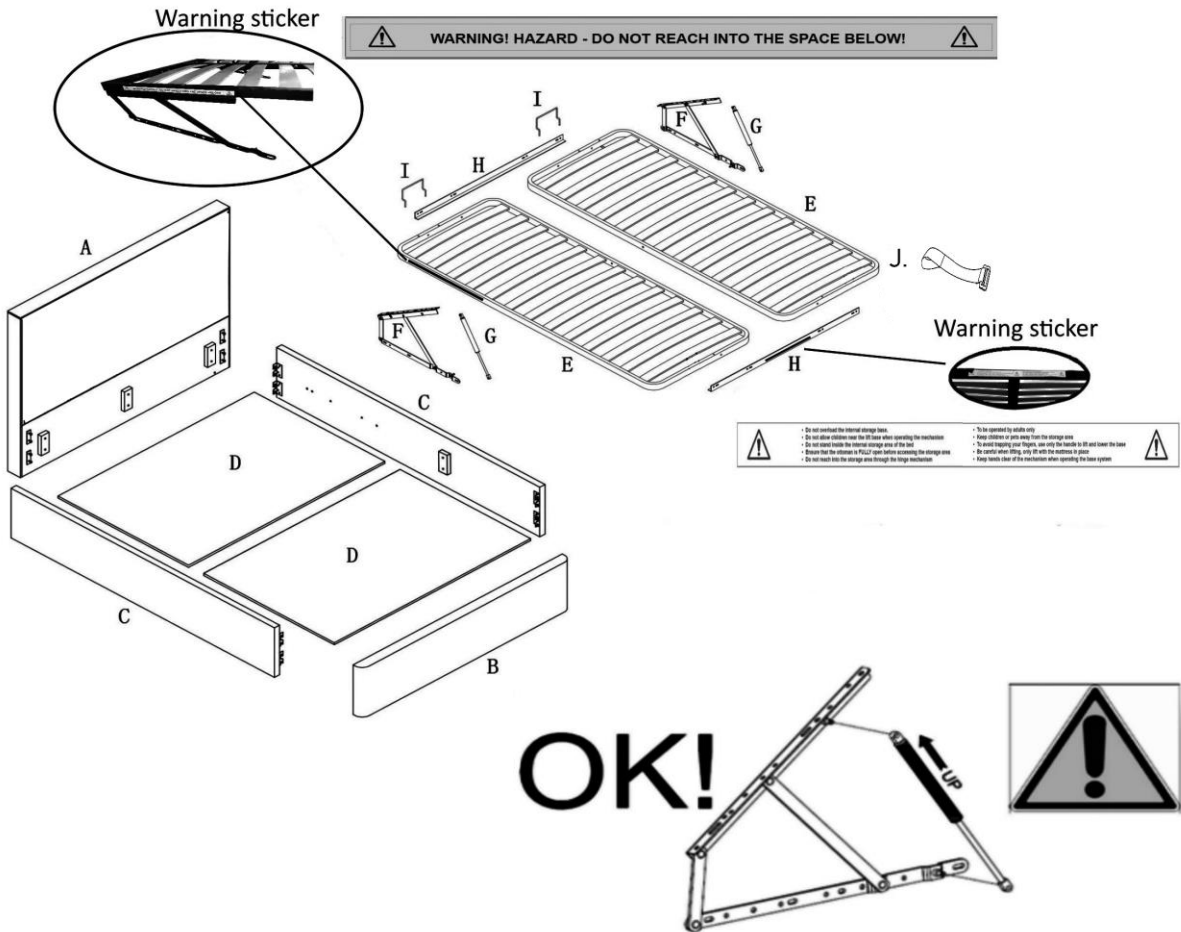
Missing parts or faulty products

If you are missing any fixtures or fittings during assembly, or a part is unfortunately faulty please call our customer service team on 01243 380600

feather&black

Cleo Ottoman Bed

Components supplied (not actual size)

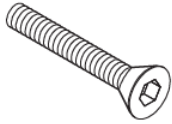


- | | |
|--------------------------------|---------|
| A: Headboard | Qty: x1 |
| B: Footboard | Qty: x1 |
| C: Side Panel (left & right) | Qty: x2 |
| D: Base Boards | Qty: x2 |
| E: Slat Frame (left & right) | Qty: x2 |
| F: Ottoman Arms (left & right) | Qty: x2 |
| G: Pistons | Qty: x2 |
| H: Support Bar | Qty: x2 |
| I: Mattress Stopper | Qty: x2 |
| J: Ottoman Lift Strap | Qty: x1 |

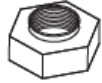
feather&black

Cleo Ottoman Bed

Fixtures and fittings supplied (not actual size)



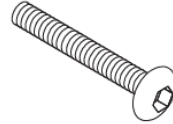
H1: M6 x 55mm
Qty: x4



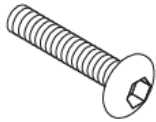
H2: M6 Nut
Qty: x16



H3: Lock
Qty: x4



H4: M6 x 70mm
Qty: x4



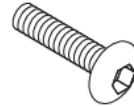
H5: M6 x 40mm
Qty: x8



H6: Metal Washer
Qty: x16



H7: Allen Key
Qty: x1



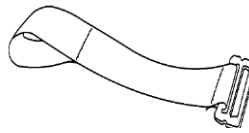
H8: M6 x 30mm
Qty: x10



H9: Spanner
Qty: x1



Velvet Glove
Qty: x1



Lift strap Qty: x2

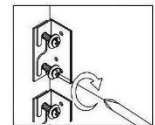
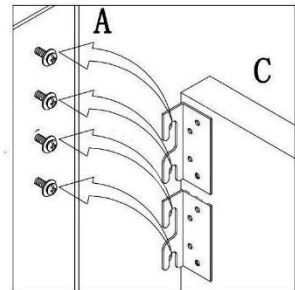
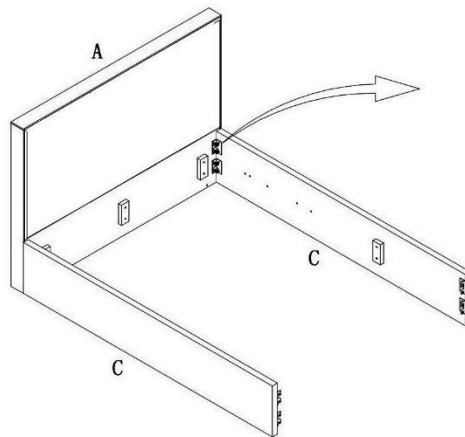


feather&black

Cleo Ottoman Bed

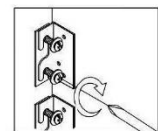
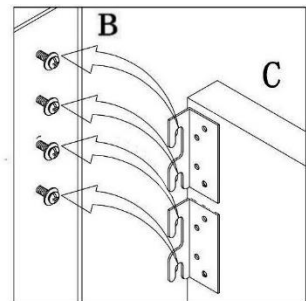
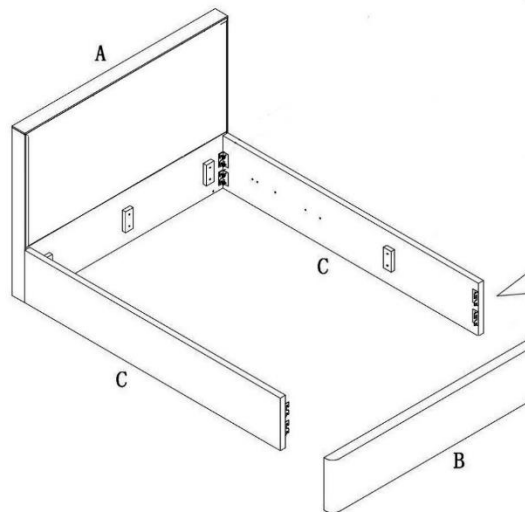
1.

(1). Attach the side rail (C) to the headboard (A)
Loosely screw in the bolts but do not tighten them 100%



2.

(1). Attach the footboard (B) in the same way as the headboard. (A)

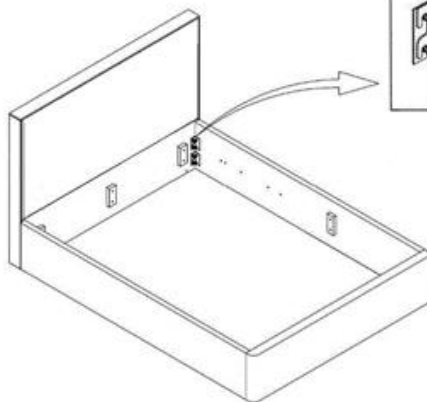
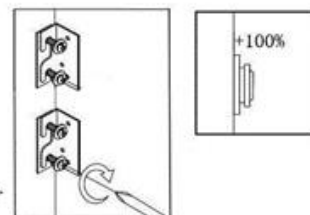
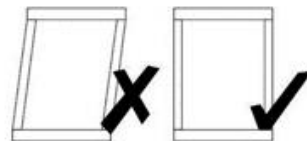


feather&black

Cleo Ottoman Bed

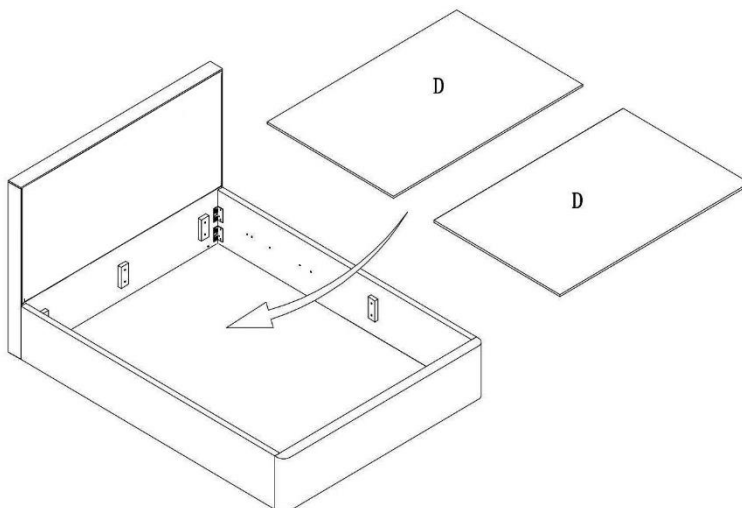
3.

(1).Make certain the bed is squared up as shown in the diagram , then fully tighten all the bolts.



4.

(1).Place the base boards (D) into the bottom of the bed.



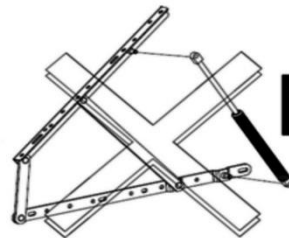
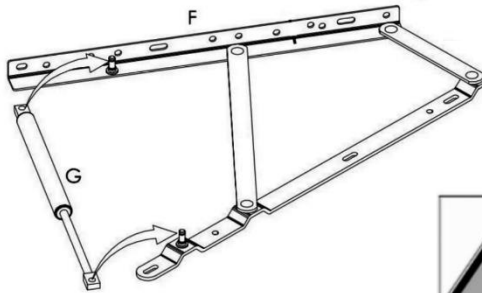
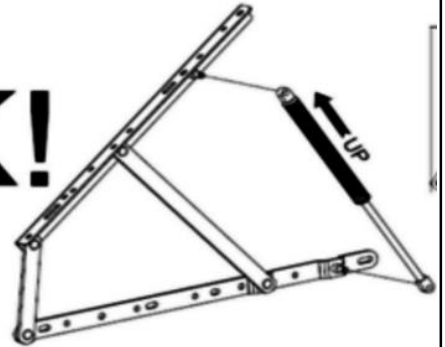
feather&black

Cleo Ottoman Bed

5.

(1).Attached the piston to the ottoman arm,make sure the piston is assembled the correct way round,the black section attaches to the top of the frame (as per the image).

OK!



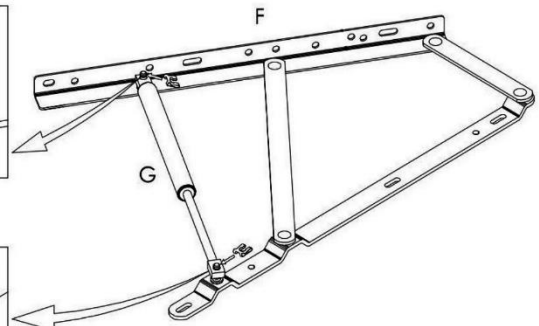
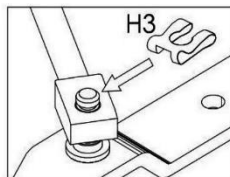
NO!

6.

(1).Attach the lock (H3) to the ottoman arm (F).



H3. Lock x 4pcs

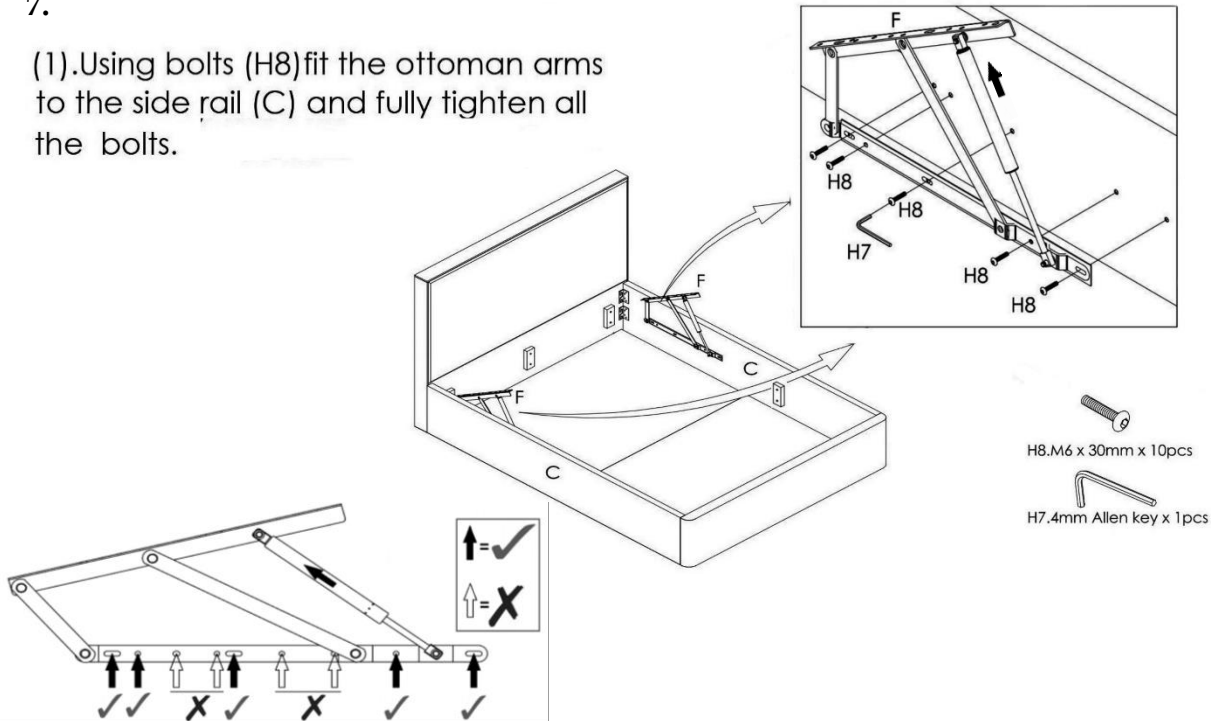


feather&black

Cleo Ottoman Bed

7.

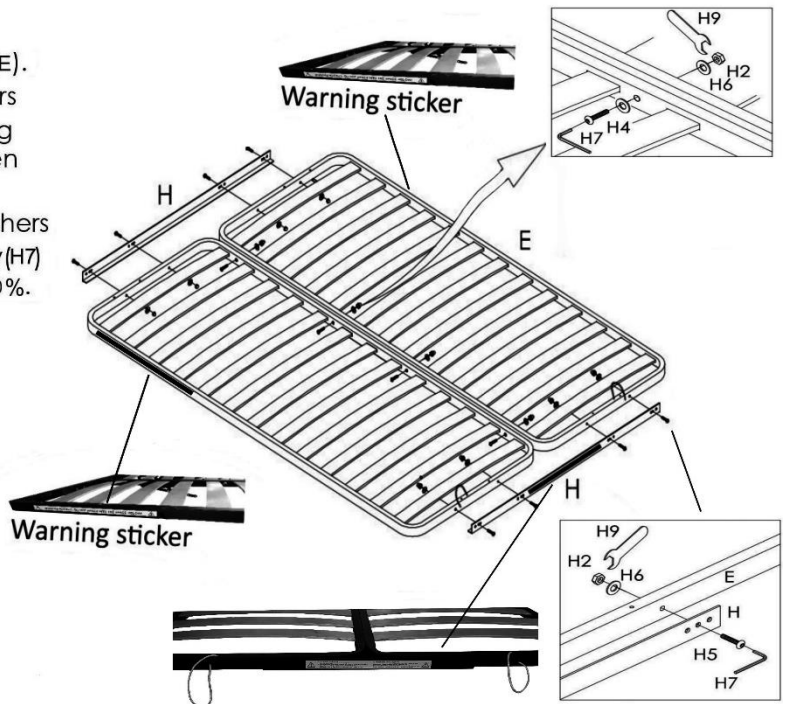
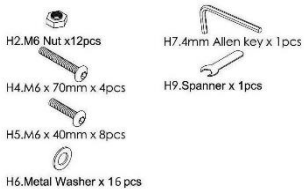
(1).Using bolts (H8)fit the ottoman arms to the side rail (C) and fully tighten all the bolts.



8.

(1).Attach bar (H) to the slat frame (E). Using bolts (H5),nut (H2),metal washers (H6)fit two bar of the slat frame,using allen key (H7)and spanner (H9)tighten all bolts 100%.

(2)Using bolts (H4),nut (H2),metal washers (H6)fit two slat frame,using allen key (H7) and spanner (H9)tighten all bolts 100%.



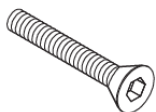
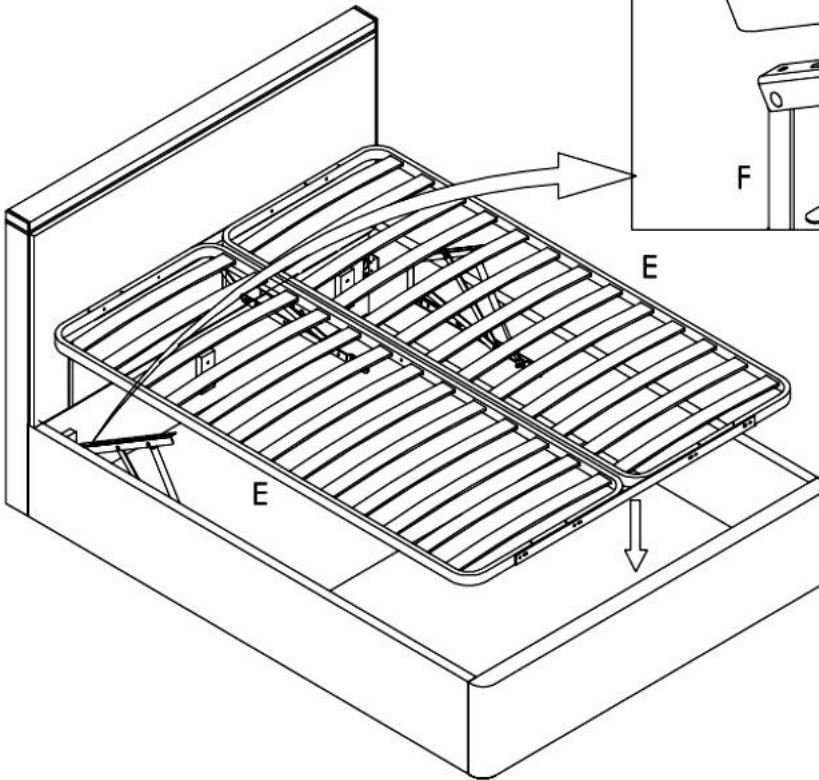
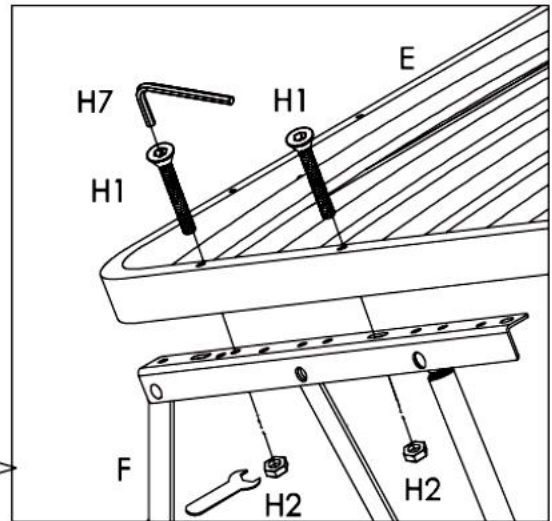
feather&black

Cleo Ottoman Bed

9.

(1). Attach the slat frame (E) to the ottoman arms(F).

Using two bolt sets on each side (H1, H2,H7,H9), fix the slat frame to the arm once all 4 bolt sets are in place, please then fully tighten all the bolts.



H1: M6 x 55mm
Qty: x4



H2: M6 Nut
Qty: x16



H7: Allen Key
Qty: x1



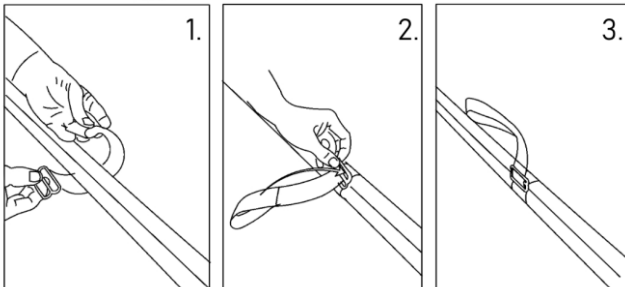
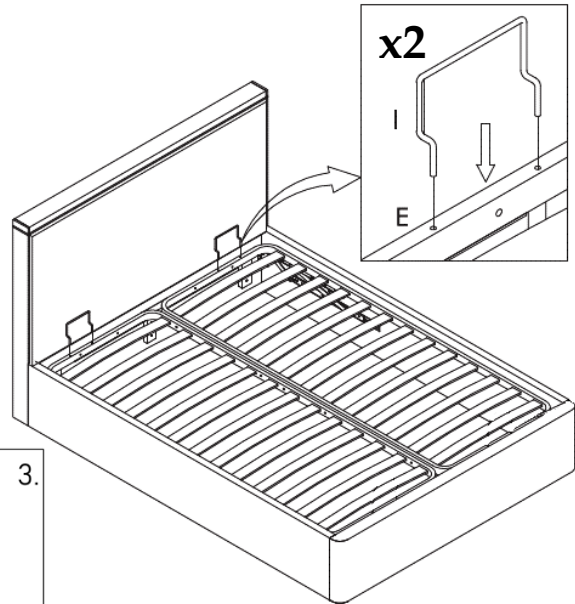
H9: Spanner
Qty: x1

feather&black

Cleo Ottoman Bed

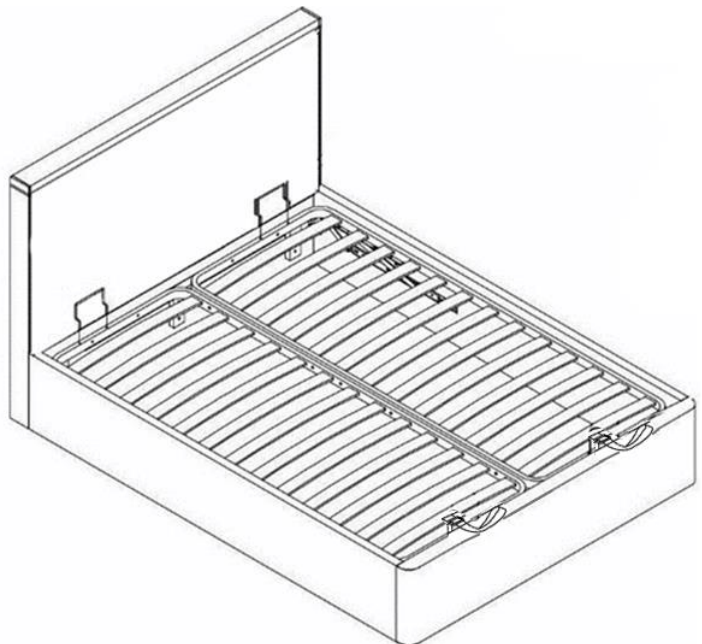
10.

- (1).Push mattress stoppers(I)x 2 into metal frame.
- (2)Attach the handle (H10)x 2 to metal frame.



11.

Using the glove provided, brush out any light or dark marks visible on the material.



feather&black

Cleo Ottoman Bed

IMPORTANT – READ CAREFULLY – RETAIN FOR FUTURE REFERENCE

- Use caution when operating, always use the handle when lifting
- Note: This bed uses a pressurised mechanism.
- To be operated by adults only
- Please ensure that children and pets are kept away from the bed when operating the lift mechanism.
- Keep children and pets away from the storage area.
- Do not overload the internal storage base.
- Do not stand inside the internal storage area of the bed
- Before removing the mattress secure the frame to ensure it does not open unexpectedly.
- Do not attempt to lie on the mattress when the ottoman is in the raised position.
- When lifting the ottoman remove all bedding except the fitted sheet.
- You must ensure that the mattress is on the bed frame before operating the lift mechanism- Failure to do so could result in injury.
- Keep hands clear of the mechanism when opening or closing the ottoman.
- Beware of entrapment – Never reach in through the mechanism to access the storage area.
- Always ensure that the ottoman is FULLY opened before accessing the storage area.
- Do not exceed the maximum weight as specified in the table below:

Bed	Bed Size	Min Weight (kg)	Max Weight (kg)
Cleo Ottoman Bed	Double	30	70
	King	30	70
	SuperKing	30	70

